

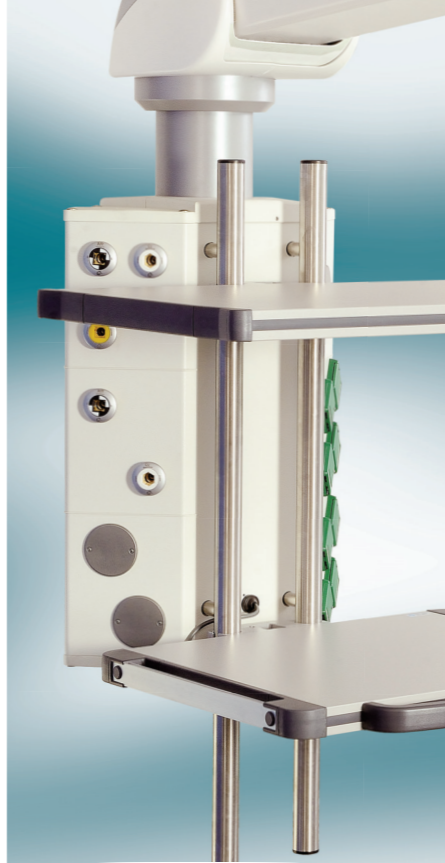
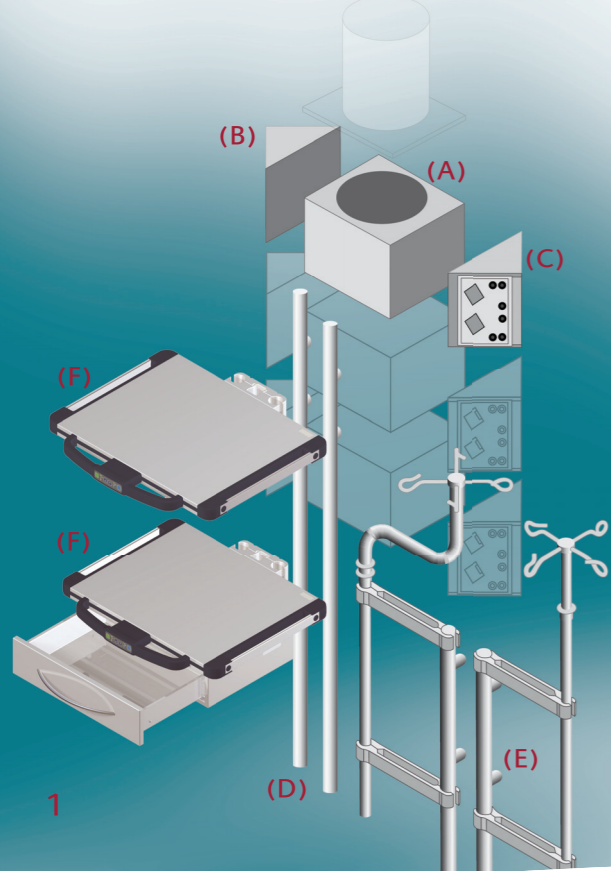
Service Head M6

Customized Service Head for
Intensive Care and OR

ondal[®]
Medical Systems

Movement – light as a feather





A MAXIMUM OF SUPPLY, FLEXIBILITY AND ERGONOMICS IN INTENSIVE CARE AND OR

PERFECT MODULARITY (1)

The Service Head M6 owes its name to the 6 modules of which it is configured. With the modular design of the system you can achieve maximum supply with minimum required space.

The components: Base (A), Gas Module (B), Electrical Module (C), Multi Function Rack MFR (D), Infusion Modules (E), Shelves with or without drawers (F)

FLEXIBILITY WHEN PLANNING THE SUPPLY MODULES (2)

The sockets can be positioned in the front or in the back. Therefore the positions of the sockets can be optimally planned, visualised and operated. Patented ergonomic, lateral arranged gas and electrical modules.

Flexible positioning of gas outlets and electrical sockets: Front or rear, top or bottom, right or left. (3)

SURROUNDED F (4)

Dimmable LED lights serve as an indirect light source in the OR and as an orientation aid for medical staff in the ICU. SURROUNDED F integrated in the bottom of the service head ensures a comfortable illumination.

MEDISOUND-SYSTEM

The MEDISOUND-System is the first audio system approved for medical applications in the OR and ICU. An iPod (with 30-pole connection) or MP3 player can be easily connected to the docking station and controlled with the infrared remote control. (5)

Four speakers in the service head (6) or as an option, an external spherical speaker (7) produce premium all around sound. In this way the MEDISOUND-System can help to improve the work environment of the surgical staff and to create a comfortable surrounding.

FLAT SCREEN HOLDER (8)

- Flexible positioning of flat screen monitors
- Mounting at the MFR
- VESA interface for easy mounting of the flat screens

EQUIPMENT CART SWINGO M6 (9)

- With the patented „Safety-Click-and-Move- Concept“
- Safe connection to Service Head M6 via interface MFR
- Can be docked from both sides of the MFR
- Undocking is easily accomplished with the one hand release handle

M6 LIFTER (10)

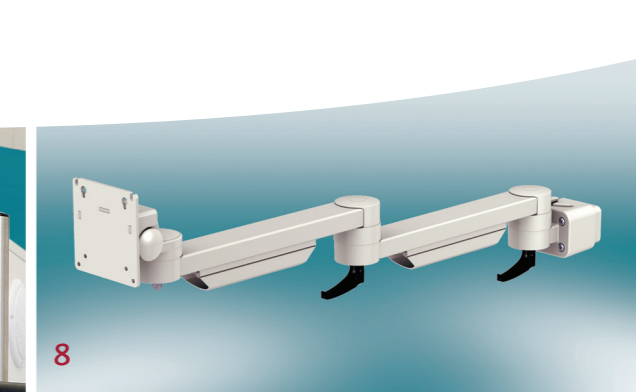
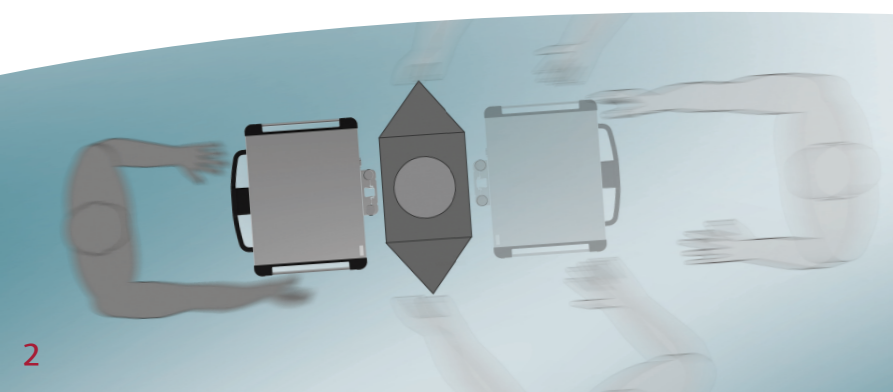
- Service Head with XL base and motorised lifting function
- For lifting anaesthetic machines of the world market leaders
- For lifting Haeberle Endoscopy cart

SHELVES (11)

- Positioning on front or rear side
- Easy and quick installation at MFR
- Solid construction made of extruded aluminum profile
- Maximum load capacity 80 kg (Maximum tilting of the shelf 1° with 80 kg and centered load)
- Ergonomically arranged operating handles with membrane buttons for comfortable operating of the pendant systems
- Operating with secure 24 V low voltage
- Edge protections
- Options for single or double drawers under the shelf

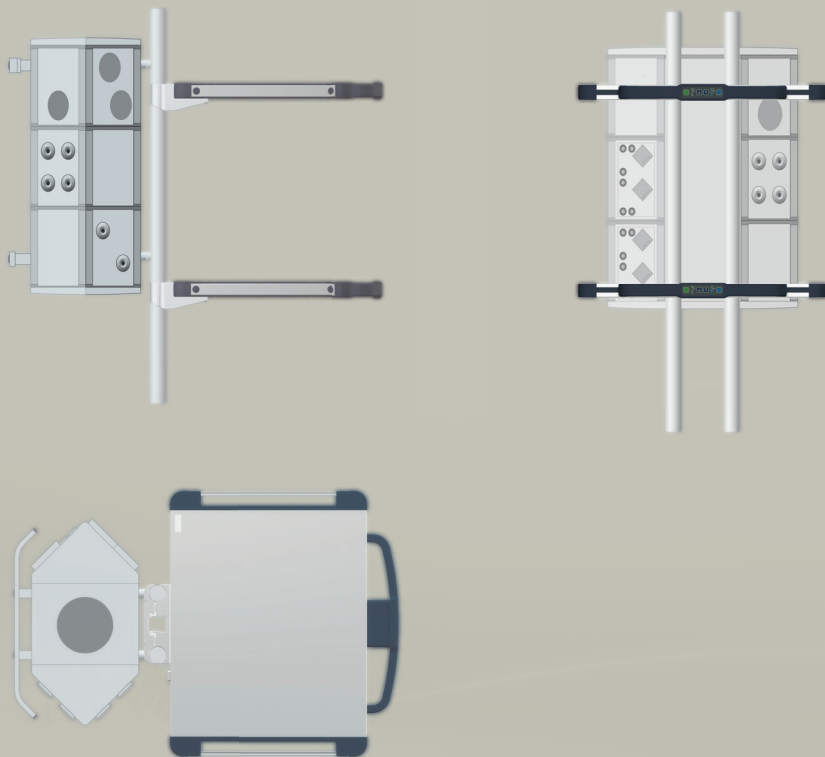
CABLE CHANNEL CABLE GUIDE (12)

- Mounted at the MFR between the shelves
- For hiding needless cable lengths



TECHNICAL DATA

Product	Service Head M6
Load capacity MFR	max. 168 kg
Load capacity per shelf	max. 80 kg (Maximum tilting of the shelf 1° with 80kg and centered load)
Test symbol	UL (standard versions)
Mark of conformity	CE
Medical product	Class IIb according Council Directive 93/42/EEC concerning medical devices
Color	RAL 9002 and RAL 9010 powder-coated
Color shelves	RAL 9006 powder-coated



ondal[®]

Movement – light as a feather

Mēdical  **PM**

Toll Free: 1 (855) 404-7676
Email: info@medical-pm.com
www.medical-pm.com