

## 27" HD LED Medical Display

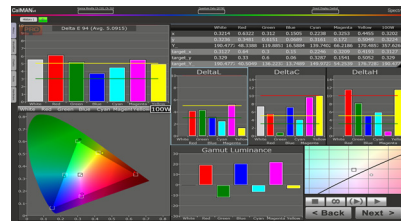
Improve surgical visualization with FS-L2701D. This display monitor offers LED backlight technology that is ultra bright, and has FSN's rich set of features designed specifically for presenting images from surgical endoscopic camera systems or other medical imaging devices. The unique exterior design of FS-L2701D is slim and sleek, with rounded corners and sturdy construction that withstands the rigors of daily OR use. Its edge-to-edge front glass surface enables fast disinfection and quick surgery room turnaround.

- Designed for the integrated operating room
- 650 nits high-bright LED backlight
- Fast, near-zero latency for instantaneous image display
- Calibrated for clinical color and gray scale reproduction
- Surgeon confidence is strengthened with clear visualization
- Compliant with RoHS requirements

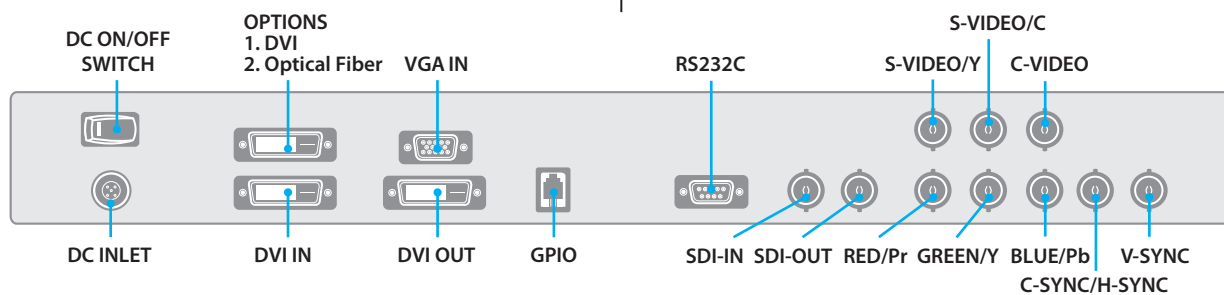


The FS-L2701D display from FSN builds upon our long history of advanced medical-grade monitors. The screen size is large enough for viewing side-by-side images simultaneously, yet small enough to mount on a moveable arm or boom if required. Compatible input signals include DVI-D, 3G-SDI, C-Video, S-Video, Component, and VGA.

### Accurate Color Reproduction



FSN has implemented methods to fine-tune the properties of our displays. Distinct color space settings have been calibrated to well-known surgical color preferences.



FSN displays have the connections you need. All major inputs are accepted via the back side connection panel.

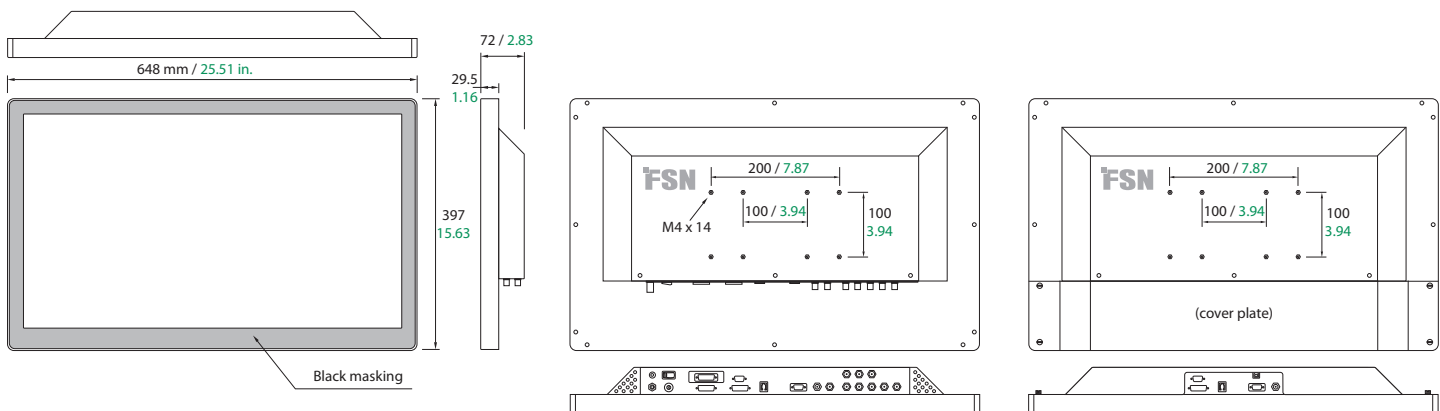
## Specifications

### General Features

Item	Description
Panel	27 inch LED (IPS)
Resolution	1920 x 1080 pixel
Aspect Ratio	16 : 9
Active Area	597.89(H) x 336.31(V) mm
Input Signal	1 x DVI-D 1 1 x DVI-D 2 (optical fiber optional) 1 x VGA (D-sub) 1 x SD/HD/3G-SDI (BNC) 1 x C-Video (BNC) 1 x S-Video (Y/C) (BNC) 1 x Component (RGBS, YPbPr) (5 x BNC)
GPIO port	Swap, PIP / PBP1 / PBP2 Select, Record indicator
Output Signal	1 x DVI-D 1 x SD/HD/3G-SDI (BNC)
Power Supply	AC/DC Adaptor (AC 100~240V, DC 24V 6.25A)
Control Key	Power, Menu, PIP, Up, Down, Plus, Minus, Input
Unit Dimension	648 (W) x 397 (H) x 72 (D) mm 25.51 (W) X 15.63 (H) x 2.83 (D) inch
Average Brightness	650 cd/ m2
Response Time (G-to-G)	14 ms
Viewing Angle (CR>10)	R/L 178, U/D 178
Weight	8.2 kg, 18.08 lbs
Contrast Ratio	1000 : 1 Typical
Pixel Pitch	0.3114(W)mm x 0.3114(H)mm

### Signal Timing

Input Signal	Type	Description
VGA Video	Type	Analog RGB
	Connector	DSUB-15
	Level	0.7Vp-p ±5%
	Polarity	Positive
	Impedance	75 ohm ±5%
	Horizontal frequency	30 ~ 93KHz
	Vertical frequency	50 ~ 85Hz
	Applicable maximum pixel frequency	170MHz
	Type	Separate H/V sync, Composite H/V sync, Sync On Green Automatic synchronization without external switch
	Terminal resistance	more than 2KΩ
DVI	Type	Digital RGB
	Signal Format	TMDS single link
	Connector	DVI-D
CVBS	Type	C-Video
	Color system	NTSC, PAL
	Signal Format	Composite Video Signal
SVHS Y/C	Type	S-Video
	Color system	NTSC, PAL
	Signal Format	Y/C Separated Video Signal
SDI	SMPTTE-424M	1080p (3G)
	SMPTTE-292M	720p, 1080i (HD)
	SMPTTE-259M	480i, 576i (SD)



Specifications are subject to change with or without notice. Doc. # FSN1978 Rev. 6/16